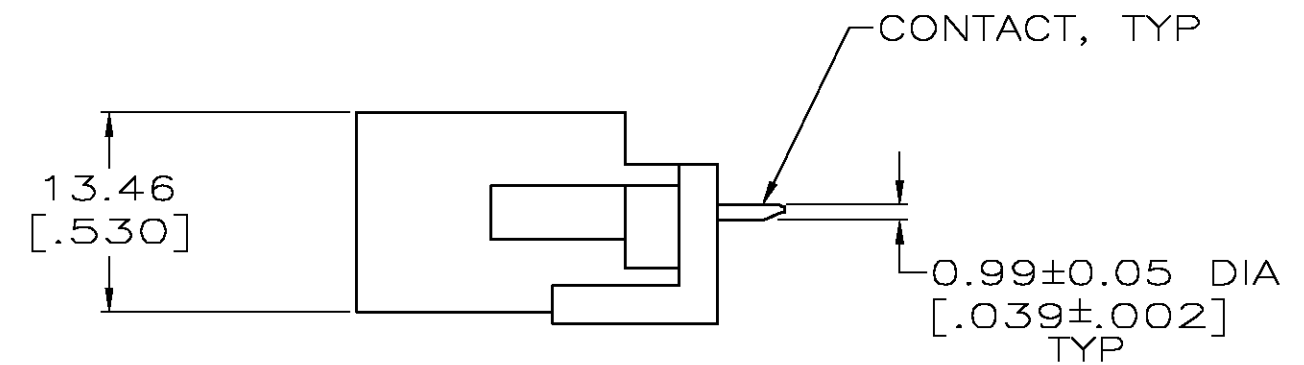
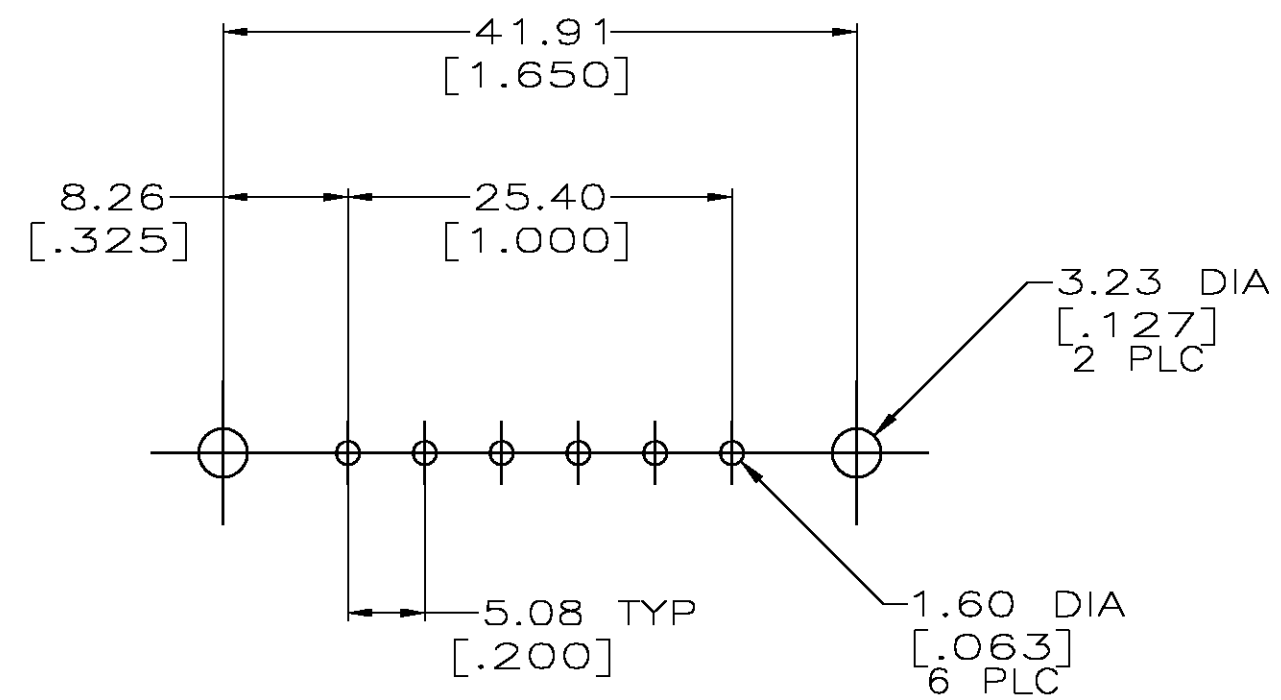
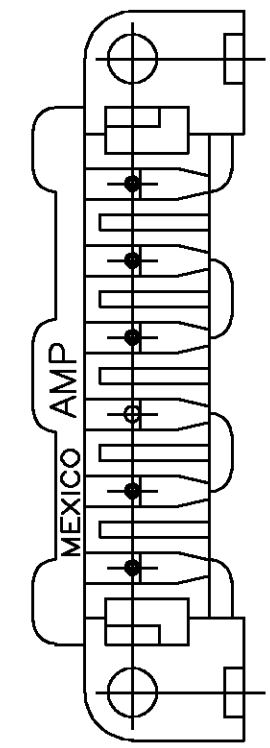
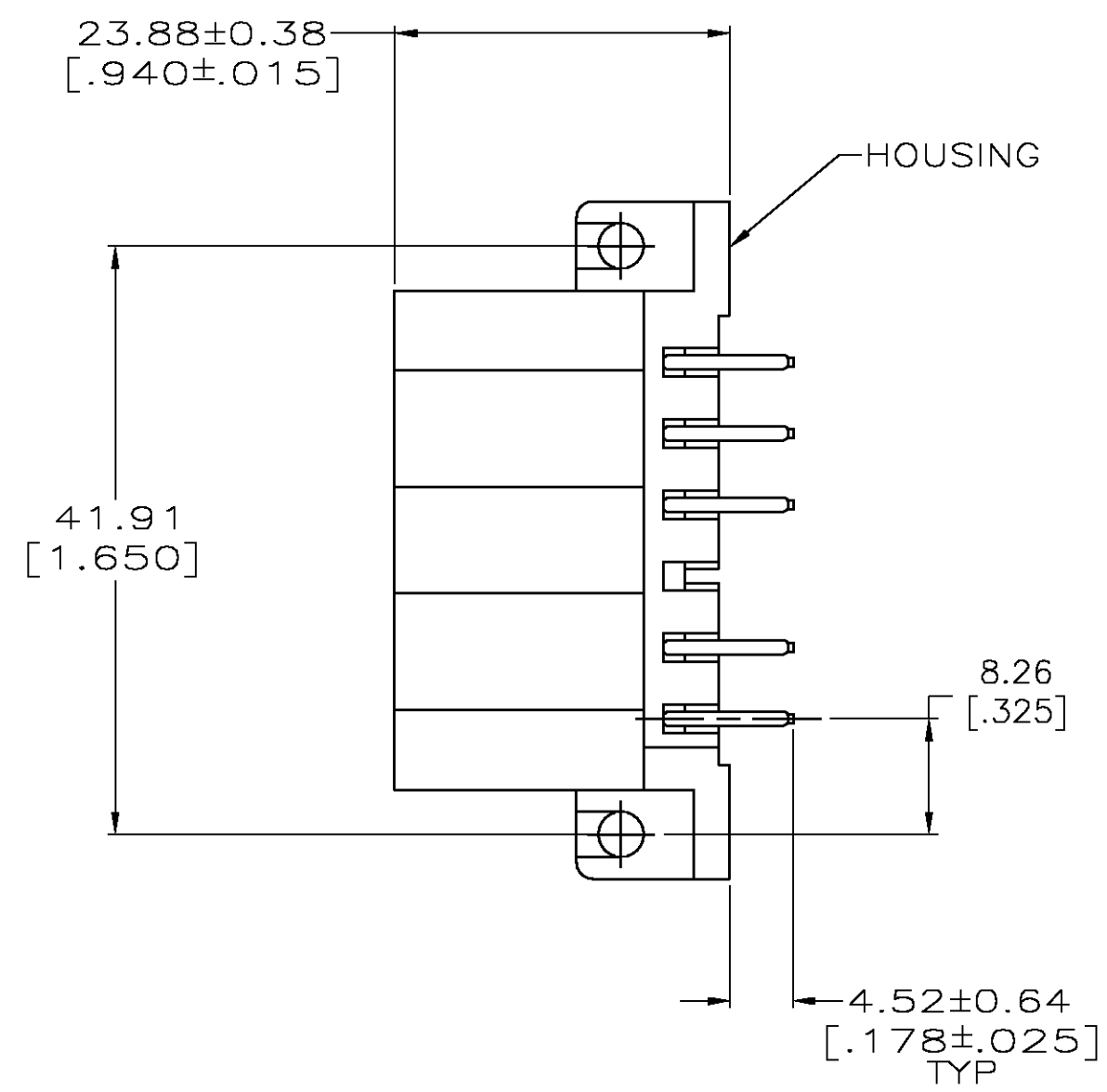
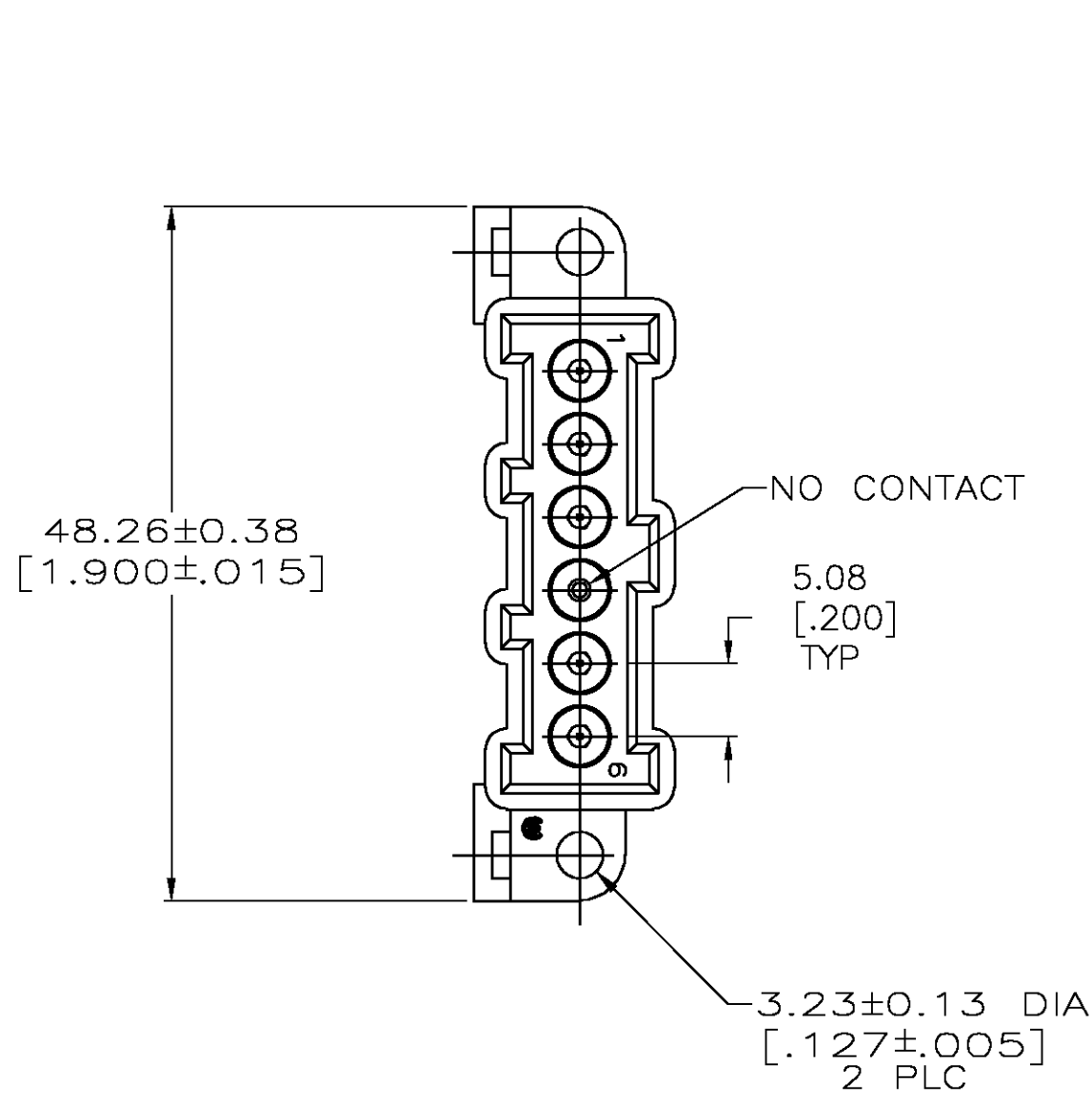


THIS DRAWING IS UNPUBLISHED. RELEASED FOR PUBLICATION
 © COPYRIGHT BY TYCO ELECTRONICS CORPORATION. ALL RIGHTS RESERVED.

LOC	DIST	REVISIONS			
P	LTR	DESCRIPTION	DATE	DWN	APVD
FT	0	F	REVISED PER 0G3B-0168-05	3/11/05	SS GS



RECOMMENDED PC BOARD LAYOUT

- ① THERMOPLASTIC, RED.
- ② BRASS PER MIL-C-50.
- ③ 3.81um [.000150] MIN TIN-LEAD OVER COPPER 2.54um [.000100] MIN PER MIL-C-14550 OR NICKEL 1.27um [.000050] MIN PER QQ-N-290.
- ④ 3.81um [.000150] MIN TIN OVER COPPER 2.54um [.000100] MIN PER MIL-C-14550 OR NICKEL 1.27um [.000050] MIN PER QQ-N-290.

④	212572-3
③	212572-2
FINISH	PART NUMBER

THIS DRAWING IS A CONTROLLED DOCUMENT.		DWN D.HARDY 09-13-94	Tyco Electronics Corporation Harrisburg, Pa 17105-3608																		
DIMENSIONS: mm [INCHES]		CHK R.STONE 10-27-94	NAME																		
TOLERANCES UNLESS OTHERWISE SPECIFIED:		APVD -	PRODUCT SPEC																		
<table border="0"> <tr><td>0 PLC</td><td>±</td><td>-</td></tr> <tr><td>1 PLC</td><td>±</td><td>-</td></tr> <tr><td>2 PLC</td><td>±</td><td>0.25[.010]</td></tr> <tr><td>3 PLC</td><td>±</td><td>-</td></tr> <tr><td>4 PLC</td><td>±</td><td>-</td></tr> <tr><td>ANGLES</td><td>±</td><td>-</td></tr> </table>		0 PLC	±	-	1 PLC	±	-	2 PLC	±	0.25[.010]	3 PLC	±	-	4 PLC	±	-	ANGLES	±	-	APPLICATION SPEC	
0 PLC	±	-																			
1 PLC	±	-																			
2 PLC	±	0.25[.010]																			
3 PLC	±	-																			
4 PLC	±	-																			
ANGLES	±	-																			
MATERIAL HOUSING: ① CONTACTS: ②		WEIGHT -	SIZE A2																		
FINISH CONTACTS: SEE TABLE		CAGE CODE 00779		DRAWING NO C=212572																	
CUSTOMER DRAWING		SCALE 2:1		SHEET 1 OF 1																	
		REV F		RESTRICTED TO -																	